

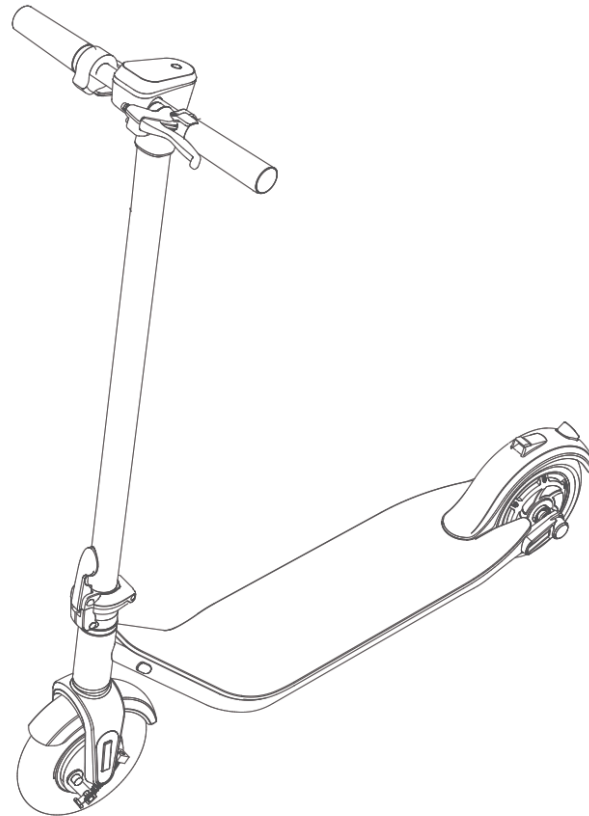


Please read the user manual carefully before you ride.

A line drawing of an electric scooter, showing the handlebars, stem, deck, and front wheel. The scooter is positioned vertically, with the handlebars at the top and the front wheel at the bottom. A dark horizontal bar is overlaid across the middle of the scooter, containing the text 'E-scooter A1F Series'.

E-scooter *A1F* Series

***i*NMOTION**



All the pictures in this manual are for reference only. Please refer to the actual product. Thank you for choosing INMOTION Electric Scooter A1 series (hereinafter referred to as scooter)

Contents

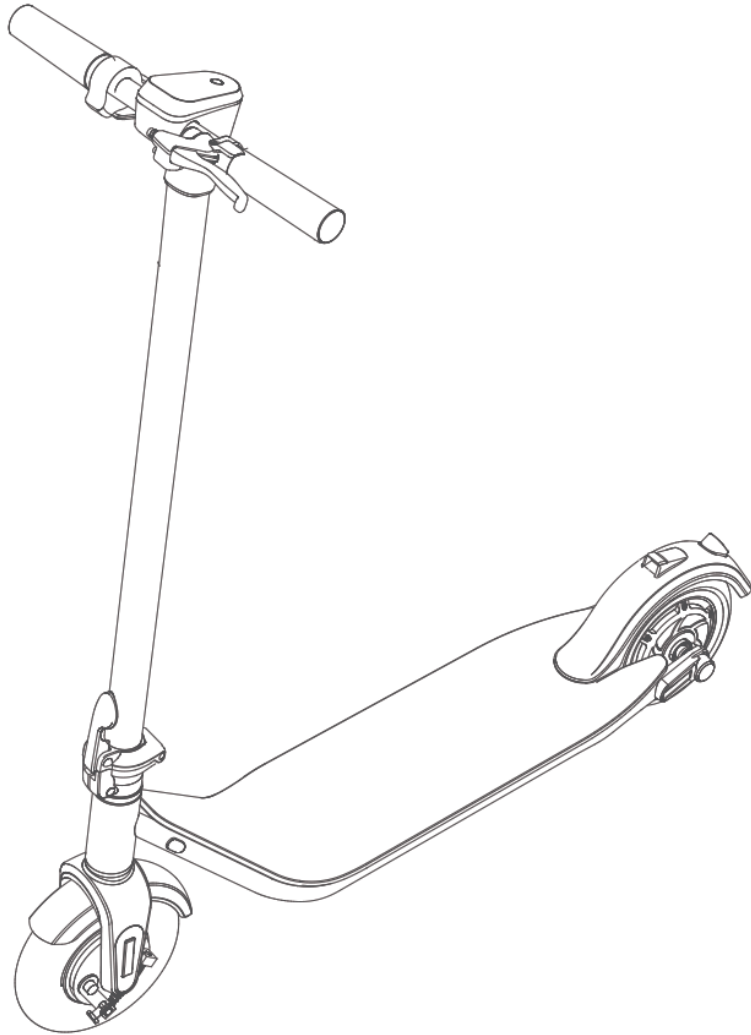
1.	Safety instructions	1
2.	Packing list	3
3.	Product function diagram	4
4.	How to assemble	5
5.	Initial use	6
6.	Connect the charger	7
7.	How to ride	8
8.	Potential safety hazards	10
9.	Folding and carrying	12
10.	Daily care and maintenance	13
11.	Table of Parameters	15
12.	Trademarks and legal notices	16
13.	Warranty	20

1.Safety Instruction

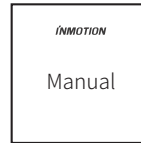
- 1.The electric scooter A1 is a product designed for personal urban transportation, which has the property of a means of transportation, and the safety risks which all means of transportation may have.
- 2.Follow the tips and warnings in this manual can reduce risks, but it cannot eliminate all risks. Please keep in mind that when you use a scooter, you may be at risk of injury or death due to loss of control, collision, and falls. The scooter is only suitable for the hard pavement above, it is recommended to use it in alternately closed pavement environment (such as inside the community, parks, special venues, etc.) Do not pass through places with obstacles and contacts. When entering an unfamiliar environment, be vigilant and slow down.
- 3.Please wear a helmet and protective gear when riding. Please use an approved bicycle, or scooter helmet.
- 4.For the first riding, please do not choose areas where children, pedestrians, pets, vehicles, bicycles or other obstacles and potential hazards may appear.
- 5.Please respect the right of pedestrians when riding. Avoid frightening pedestrians, especially the elderly, children, the disabled, and pregnant women. When approaching pedestrians from the rear, remind pedestrians and slow down when passing. Please abide by the local traffic laws and regulations.
- 6.When riding in countries and regions where there are no laws and regulations related to electric scooters, you must strictly abide by the safety requirements for cyclists in this manual. In motion will not assume any responsibility for any property loss, personal injury, accident, or legal disputes caused by the user behavior that violates the safety tips in this manual.
- 7.Before lending your scooter to someone else, make sure that they have read this manual, watched the instructional video, and learned novice instruction. You are responsible for ensuring the safety of new riders. Please assist him / her to learn to use this product until he / she learns the basic operation of this scooter. Please ensure that each new rider wears a helmet and other protective gear.
- 8.Before ride it, please check and make sure no loose fasteners and damaged parts. If the scooter makes an abnormal noise or alarm sound, please stop using it immediately and consult with your purchasing point or email to the manufacturer. (service@imscv.com).
- 9.Please observe the road surface when riding, avoid obstacles, and smooth ground (including but not limited to wet ground, loose sand, stone ground, and ice surface).
- 10.In order to reduce the risk of injury, you must read and follow all "Caution" and "Warning" notices in this manual. This product is suitable for users aged 14-60 years old and weighing less than 140kg. Please comply with the following safety tips:
 - A.Those who are not suitable for riding this scooter include:
 - i.Persons affected by alcohol or drugs.
 - ii.Persons are unable to engage in vigorous physical activities due to illness.
 - iii.Unable to maintain balance.
 - iv.Persons whose weight exceeds the prescribed limit (please refer to the instruction manual "Model Parameter Table").
 - v.Pregnant woman.

- B.Minors need to ride scooters under adult supervision.
- C.Please abide by the local laws and regulations while riding. Do not ride scooters in areas prohibited by the local law.D.For a safe ride, you must ensure that you can see the area in front, and you could be seen by others.
- E.Whatever the reason, please do not ride the scooter when it is snowing, raining, slippery, muddy, or icy. Do not ride a scooter across obstacles (sand, stones, or roadblocks), which may cause a loss of balance or grip, and result in a fall.
- F.Damages and losses due to water ingress are not covered by the warranty.
- G.Please do not drive at night.
- H.Please do not suddenly accelerate or decelerate. Please do not drive at a speed exceeding the limit of the scooter, otherwise, there may be a risk of runaway, collision, and falling.
- 11.Please do not try to charge your scooter when the charging port, charger, or power outlet is wet.
- 12.Make sure to use the original chargers from Inmotion to charge the scooter.
- 13.Only use parts and accessories approved by Inmotion. And do not modify your scooter. Modifications to the scooter may affect the operation of the scooter, resulting in serious injury / damage and an invalid warranty.
- 14.Children should not use scooters or play scooter parts. When riding, the car body vibration will cause the driver's body vibration.
- 15.It is recommended to park on flat and solid ground. If parking on a slope, the kickstand must face downhill to prevent overturning. Do not allow the scooter head to rush down to prevent the kick-stand support from closing under gravity and the vehicle toppling over. After putting down the kick-stand, please check whether the scooter body is stable and prevent the scooter (from sliding, wind or shaking) from tipping over. Do not park in busy areas. It is recommended to park near the wall. Please park the scooter on a flat road as much as possible.
- 16.In order to get better driving experience, it is recommended to maintain the product regularly.
- 17.Please read the user manual before charging.
- 18.Do not touch the brake parts of scooter, an injury may cause.

2. Packing List



Manual

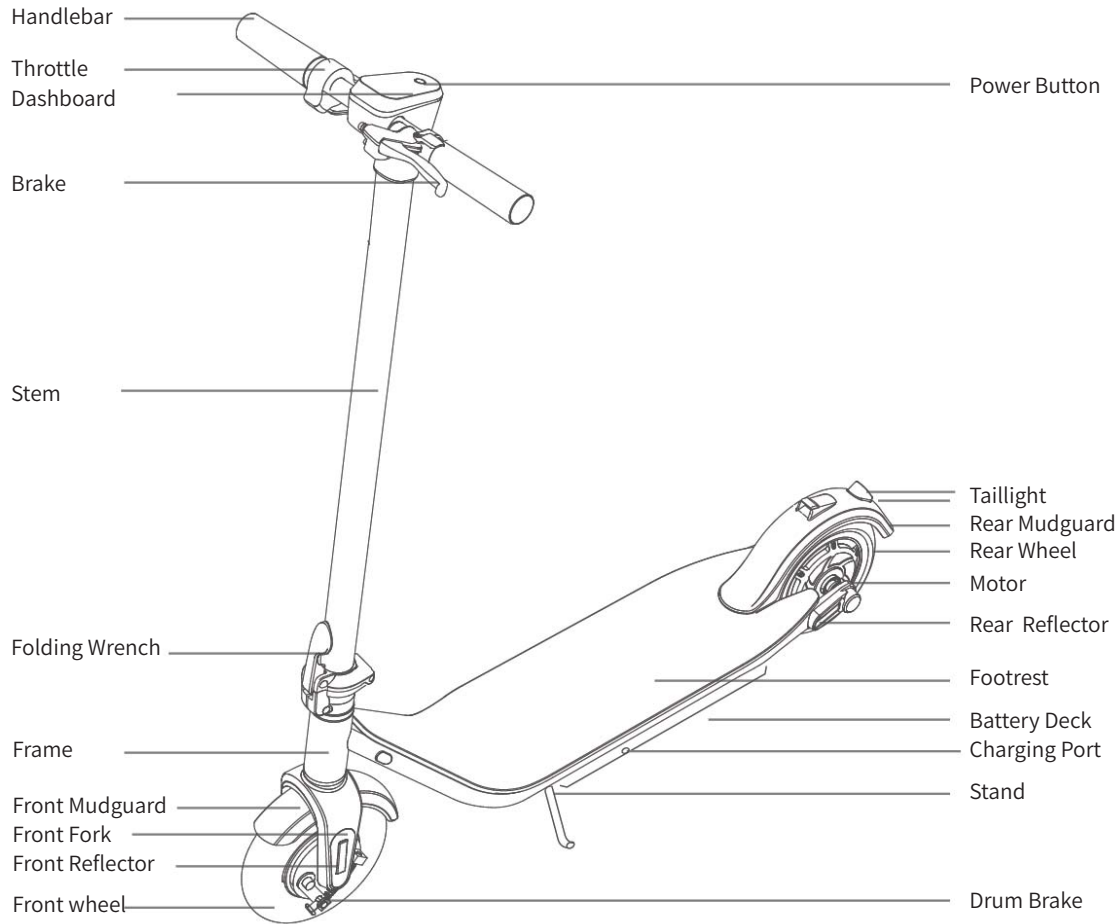


Accessories

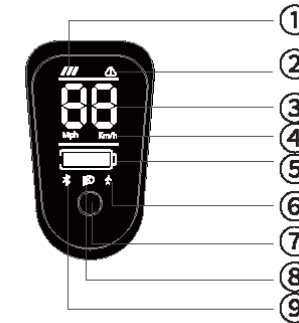


Please carefully check whether the items in the packing box are complete and intact. If there is any part missing or damaged, please contact your point of purchase or email to manufacture (rservice@imscv.com).

3.Product function diagram



Display Pannel



①Riding mode: three-speed riding mode

The maximum speed of the regular version: 1 gear 10km/h, 2 gear 16km/h, and 3 gear 25km/h.

The maximum speed of the Germany Version: 1st gear 10 km/h, 2nd gear 16km/h, 3rd gear 20km/h.

②Failure alarm: The long-bright failure alarm icon indicates that the scooter has failed.

③Speedometer: used to display the current speed of the scooter.

④Speed unit: Mph means miles per hour, km/h means kilometers per hour.

⑤Power display: Display the remaining battery power through 5 horizontal bars.

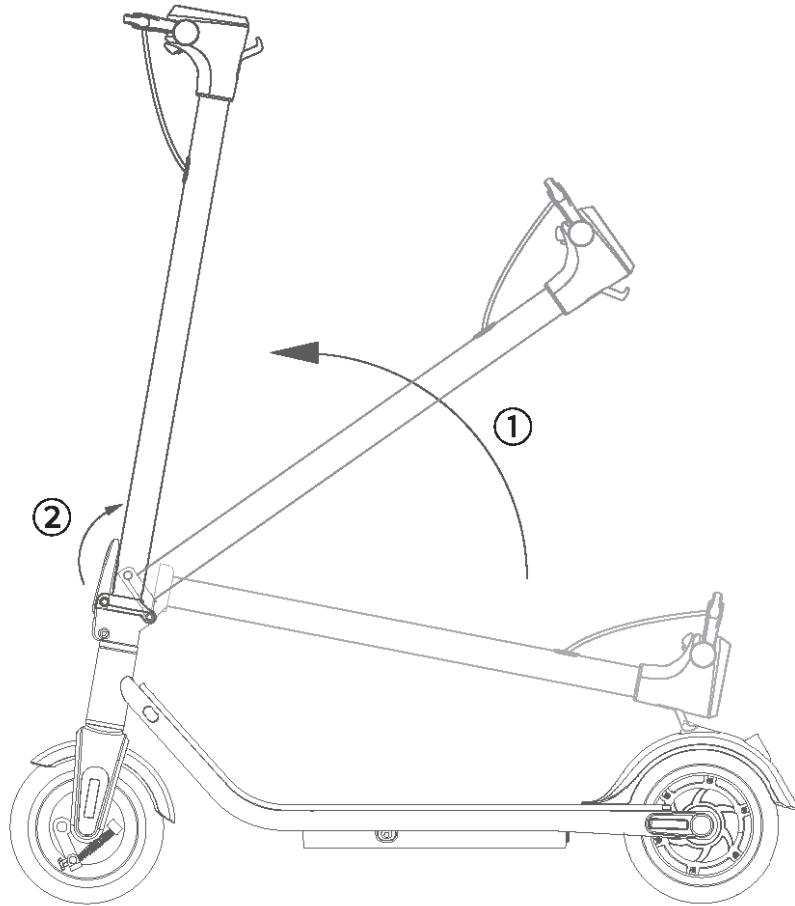
⑥Pedestrian mode: Pedestrian mode is enabled during implementation

⑦Power-on button: Long press to power on, long-press the button for more than 3s to turn off the vehicle. In the power-on state, click to turn on/off the front light. Double tap to switch driving mode.

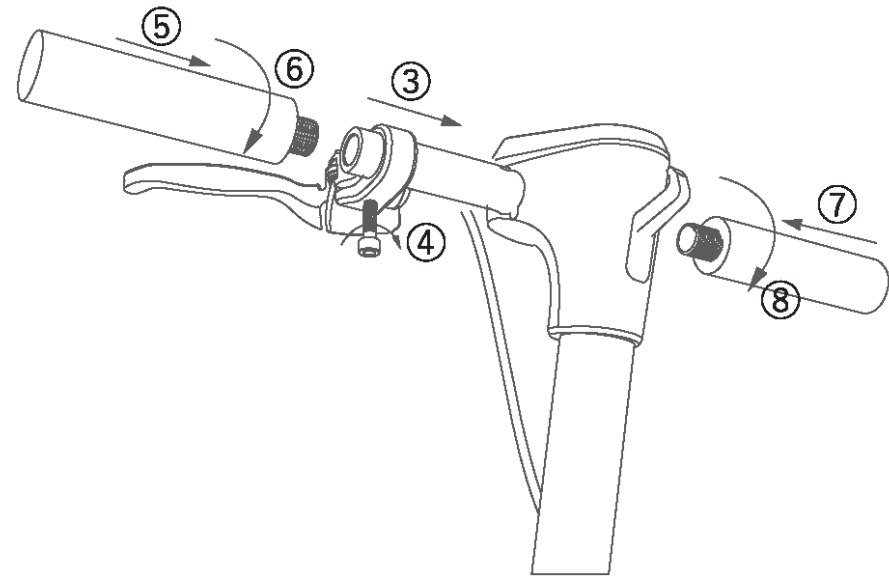
⑧Headlight display: The headlight icon lights up to indicate that the headlight is turned on.

⑨Bluetooth display: the Bluetooth icon is always on to indicate that the vehicle is connected to the mobile device.

4.How to assemble



1.Open the stem:Unlock the hook from the mudguard righting the stem, then lock the scooter through the folding wrench.



2.Install the brake lever: put the brake lever glove on the straight pipe and tighten the screw.
3.Install the left and right handles: screw the left and right handles to both sides of the straight pipe until they are locked.

5.Initial Use



There are safety risks in using scooters. Before using it for the first time, you must carefully read the safe driving guide through the APP.

For your safety, the brand new scooter is inactive, and there will be intermittent buzzing prompts after booting. Before activation, the speed of the scooter is very low and all functions cannot be used. You need to install an APP on your mobile device (Bluetooth 4.0 and above), connect your scooter via Bluetooth, and activate your scooter according to the instructions in the APP.

Inmotion App.

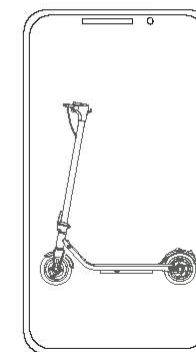
Please scan the QR code on the left to download the APP.



①Install APP, register/login.



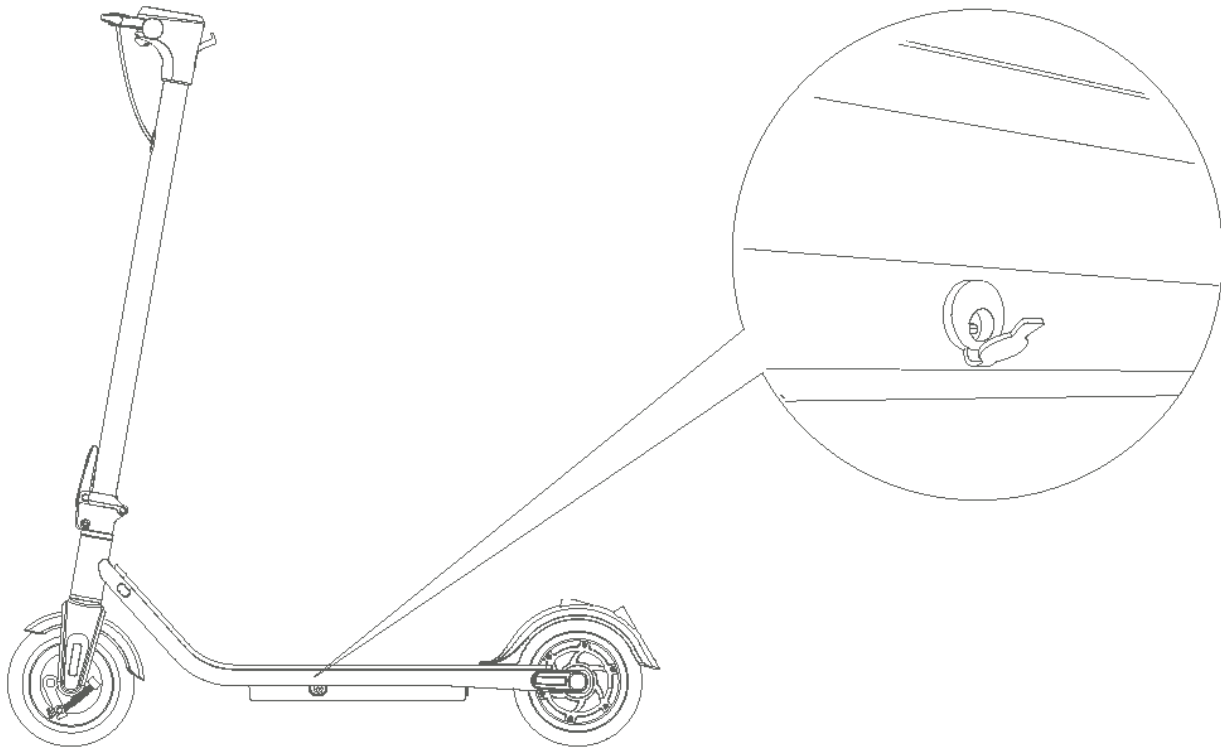
②When the scooter is turned on, the Bluetooth enters the waiting state by default, connect the scooter through the APP, and the icon is always on after the connection is successful,you can start to use the APP to operate



③Follow the APP prompts to activate the vehicle and learn how to drive safely. Now, you can start to use your scooter, and you can also check the vehicle status and function operations through the APP.

Note: The above functions are limited to A1 models, the lower version A1F does not have this function

6. Connect the Charger

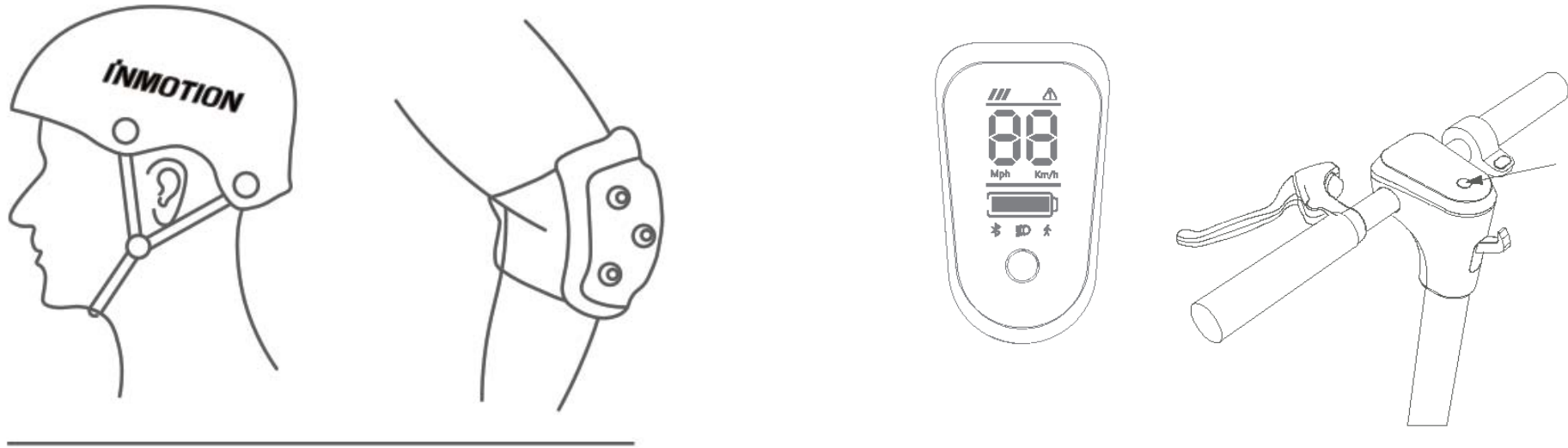


 **Warning**

Use the original charger to charge, otherwise the battery will be damaged or dangerous. Do not connect the charger

Open the rubber plug of the charging port and insert the charging head. Fasten the rubber plug after charging.

7. How to ride



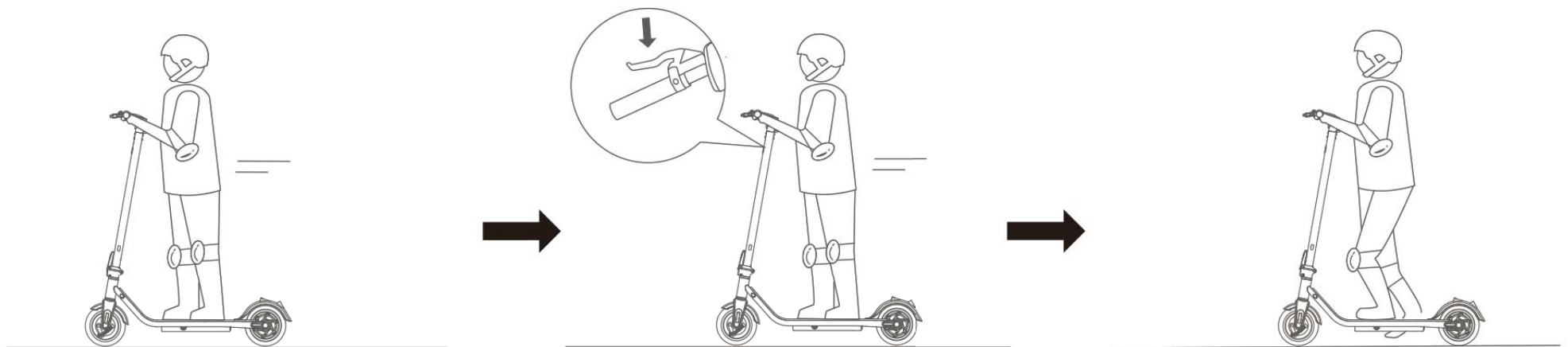
Please take safety measures when riding, such as: wearing sports clothing, wearing helmets, knee pads, elbow pads and other protective

Turn on and check the battery indicator. If the battery is too low, charge it immediately.

1. Long press the power button to turn on the scooter



2. Stand on the pedal with one foot, push the other foot back on the ground and start sliding. The motor can only start after the vehicle speed reaches 3km/h. Lightly press the throttle finger on the right hand side, the car can ride slowly, and the steering can control the riding direction (similar to a bicycle).



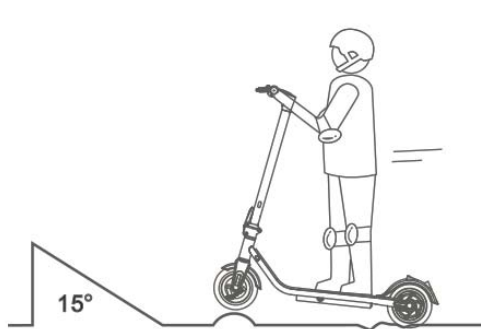
3. Lightly press the throttle finger on the right hand side to speed up, remember not to be too fast. Pinch the brake lever to brake. (Be careful not to brake suddenly when riding.) When the car stops or slides slowly, put down one foot and get off the car normally.

8. Potential safety hazards

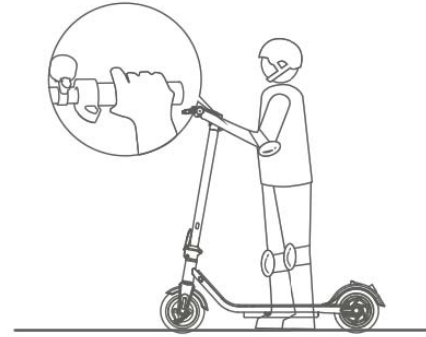
Violate these instructions may result in serious injury



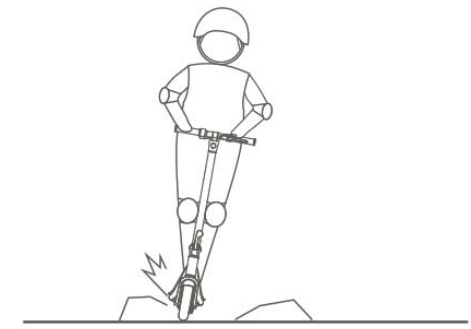
Avoid riding in the rain



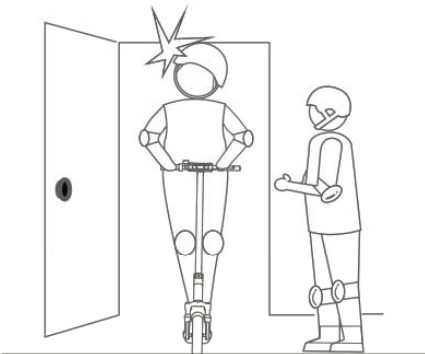
When encountering speed bumps and potholes on very roads, do not pass at high speed. Please keep medium and low speed (5-10km/h) on rough roads



Do not press the throttle when driving the vehicle



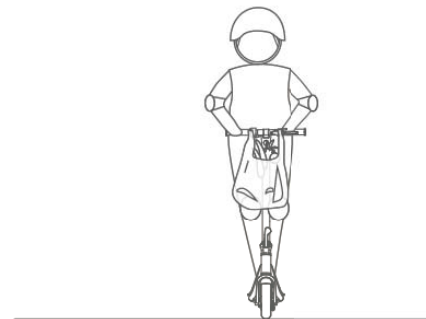
Pay attention to the road conditions and avoid obstacles when riding



Avoid hitting high obstacles such as door frames and elevators



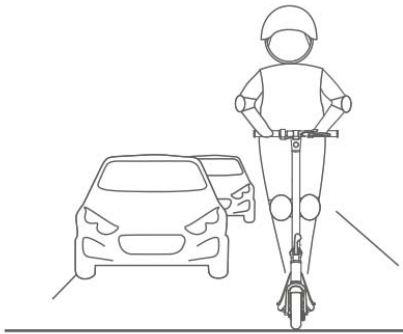
Prohibit stepping on the rear fender



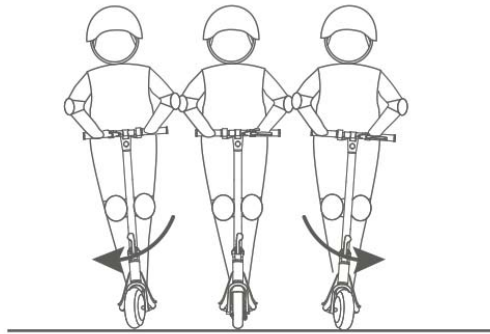
Do not hang heavy objects on the handlebars and other car bodies



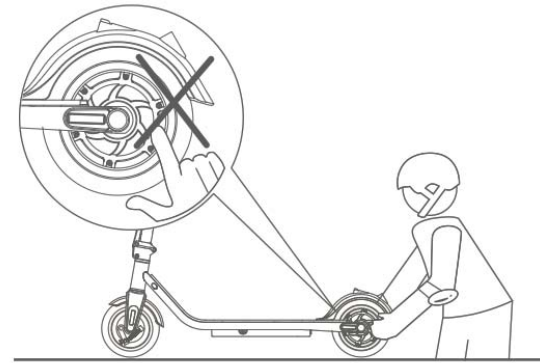
Irregular riding postures are prohibited, such as one-legged or one-handed riding



Prohibit driving into motor vehicle lanes, public roads, highways, etc.



It is forbidden to turn the handle significantly during high-speed driving



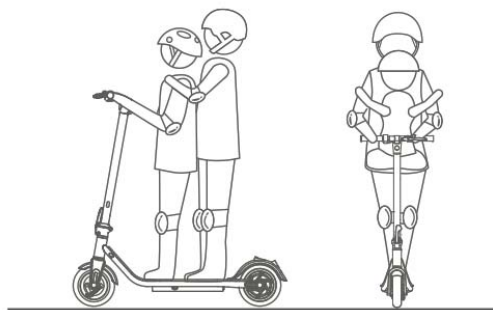
Running causes the motor to generate heat at high temperature, please do not touch



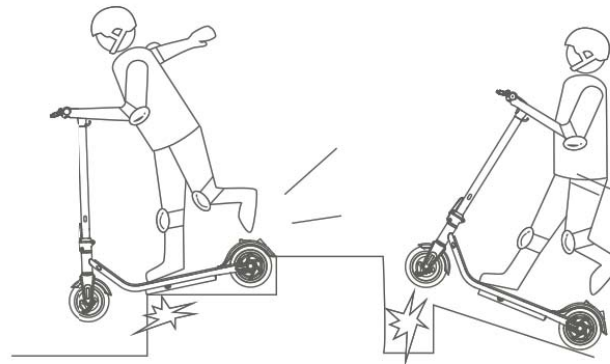
Do not leave your hands off the handlebars when riding



Don't go straight through the puddle, please go around at low speed



The scooter is for one person only, riding with a person is prohibited.



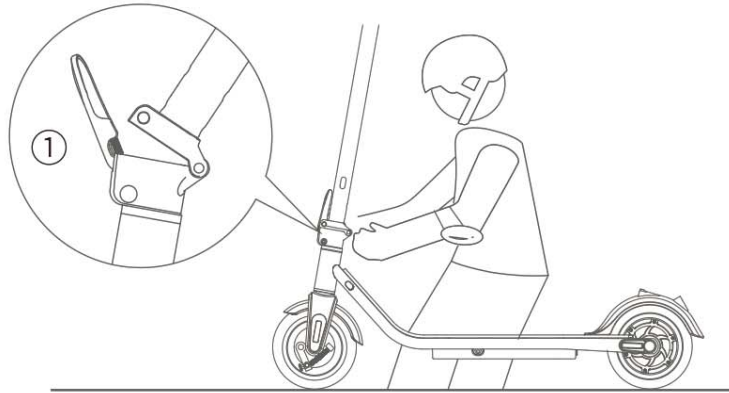
It is forbidden to ride a scooter up or down steps or jump obstacles



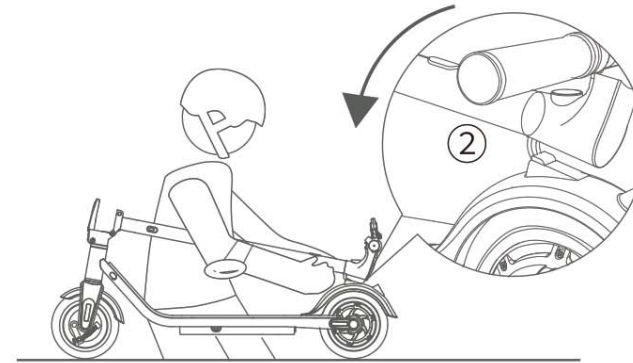
Do not use mobile phones or wear earphones while riding

9.Folding and carrying

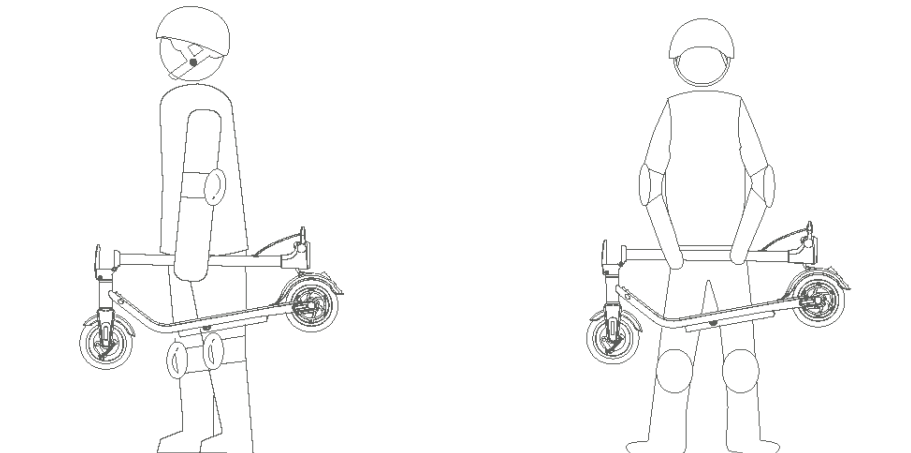
Open the folding wrench



Shut down the scooter, hold the stem, open the folding lock, fold the riser backward, and fasten the hook to the fender.



Shut down the scooter, hold the stem, open the folding wrench.



After the scooter is folded, hold the riser to carry it

10.Cleaning and storage

Cleaning and storage

Wipe the mainframe of scooter with a soft damp cloth. If any stains which are difficult to clean, brush repeatedly with a toothbrush and toothpaste, then clean with a soft damp cloth.

Tips: Do not use alcohol, gasoline, kerosene, or other corrosive, volatile solvents to clean your scooter. These substances may damage the appearance and internal structure of the body of the scooter. It is forbidden to spray the scooter with a pressure water-gun or water pipe.

Warning

Before cleaning, make sure the scooter is powered off, and the charging cable has been unplugged and the rubber cover of the charging port has been fastened. Otherwise, it may cause damage to electronic components or the battery. When the scooter is not in use, please place it in a bright and dry place. Do not park the scooter outdoors. Sun exposure or extreme temperature conditions (overheating and too cold) will accelerate the aging of plastic parts and may lead to a reduction in battery life.

Battery dis-assembly and maintenance

Please don't take the battery out if not necessary. It's a little complicated to dis-assembling the battery, and which may affect the operation to the body of the scooter. And it's better to let the professional staff install the tires. Any improper operation may cause the body of scooter to be unstable or with other failures:

1. Do not use battery made by 3rd parties if without authorization, otherwise there may be safety risks.
2. Recharge the scooter with the original charger, otherwise, there may be a risk of damage or fire.
3. Do not touch the battery contacts, and do not dis-assemble or pierce the case of battery. Avoid the short circuit caused by metal objects touching the battery contacts, otherwise, it may cause battery damage or personal injury.
4. It is forbidden to put the battery into fire, otherwise it may cause the battery to fail, overheat, or even risk of fire.
5. Please fully charge the scooter before store it, which is helpful to prolong the battery life. Do not exceed the limit of specified temperature (refer to the table of parameter) while store and charge the battery.
6. The Improper disposal of used batteries may seriously pollute the environment. Please comply with the local regulations when disposing of the battery. Do not discard this battery as one's desire.

The battery in good condition can maintain a good operating state even after driving for many miles. Please re-charge the battery on time, to avoid the battery is completely draining. At the indoor temperature of 22 ° C, the battery has the best battery life and performance. However, at the temperatures under 0 ° C, the battery life and performance may degrade. Check more info on Inmotion APP.

Reminding

At standby status, a fully charged battery will be fully discharged its power in 120-180 days. Usually, the low-power battery should be recharged every 30-60 days. There is a smart chip inside the battery to record the charge and discharge of the battery. All damage caused by overcharging or undercharging is not covered by the warranty.

Warning

Please do not try to dis-assemble the battery, otherwise, there is a risk of fire. Users are not allowed to repair the parts contained in this scooter by themselves, if without authorization.

Warning

Do not ride this scooter when the ambient temperature exceeds the product operating temperature (please refer to the parameter table). The extra power lost would be caused by the low / high temperature, meanwhile, slipping or falling may occur, resulting in personal injury or property damage. For product maintenance, repair, and other related questions, please contact your point of purchase or email to service@imscv.com.

FCC STATEMENT :

This device complies with Part 15 of the FCC Rules. Operation is subject to the following two conditions:

This device may not cause harmful interference, and

This device must accept any interference received, including interference that may cause undesired operation.

Warning: Changes or modifications not expressly approved by the party responsible for compliance could void the user's authority to operate the equipment.

NOTE: This equipment has been tested and found to comply with the limits for a Class B digital device, pursuant to Part 15 of the FCC Rules. These limits are designed to provide reasonable protection against harmful interference in a residential installation. This equipment generates uses and can radiate radio frequency energy and, if not installed and used in accordance with the instructions, may cause harmful interference to radio communications. However, there is no guarantee that interference will not occur in a particular installation. If this equipment does cause harmful interference to radio or television reception, which can be determined by turning the equipment off and on, the user is encouraged to try to correct the interference by one or more of the following measures:

Reorient or relocate the receiving antenna.

Increase the separation between the equipment and receiver.

Connect the equipment into an outlet on a circuit different from that to which the receiver is connected.

Consult the dealer or an experienced radio/TV technician for help.

FCC Radiation Exposure Statement:

This equipment complies with FCC radiation exposure limits set forth for an uncontrolled environment. This equipment should be installed and operated with minimum distance 20cm between the radiator & your body.

11. Table of Parameters

Specification		A1	A1F
Dimension	Unfold:L*W*H	~1031*410*1166mm	~1031*410*1121mm
	Fold:L*W*H	~1031*410*446mm	
Weight	Net weight	~13kg	~14kg
Recommendation	Max. of Payload	90 kg	
	For Age at	14-60 years old	
	For Height at	130~200cm	
Recommendation	APP	No	Yes
	Top Speed	Regular version: 25km/h Germany Version: 20km/h	
	Mileage[1]	~20km	~30km
	Max. of Slope	15%	18%
	Working temperature	-10°C~40°C	
	Storage temperature	-20°C-45°C	
	IP rating	IP54	
	Charging time	~3h	~4.5h
	Rating Voltage	36V	
	Max. of Voltage	42V	
	Charging temperature	0°C~40°C	
	Capacity	187.2Wh	280.8Wh
Motor	Rating power	250W	350W
Charger	Input Voltage	100-240VAC 50/60HZ	
	Output Voltage	42VDC	
	Output Current	1.8A	
Tire	Front Tire	8inches pneumatic tire	
	Rear Tire	8inches run-flat tire	

[1] Mileage: Tested under full power, 75kg load, 25 ° C, driving at 60% of the maximum speed on flat and hardened road

12.Trademarks and legal notices

Inmotion is a registered trademark of Inmotion Technologies Co., Ltd .; Android is a trademark of Google; App Store is a sign of Apple service, other trademarks mentioned in this article are belonged by their owners. When printing this manual, it has included as many function introductions and instructions as possible. However, due to the continuous improvement of product functions and design changes, it may still be inconsistent with the product you purchased. Respect. Please scan the QR code on page 6, download the APP for Android or iOS devices, and read the latest version of this manual. Due to product updates, the actual product may deviate from the color and appearance mentioned in this manual. Please refer to the actual product.

All rights reserved by Inmotion Technologies Co., Ltd.
Manufacturer: Inmotion Technologies Co., Ltd.

The more familiar you are with the scooter, the more safety you will get on riding.

Therefore we suggest you to:

1. Read this user manual carefully before riding.
2. Do not allow other people to ride this scooter before they read this manual carefully.
3. You are obliged to know all relevant laws, regulations, and policies regarding riding scooters in your area and strictly comply with applicable laws, regulations, and policies.

Safety instructions we suggest you to:

1. Please wear a helmet with an appropriate size when riding.
2. This scooter may contain detachable parts, which should avoid the harm caused by children swallowing.
3. Scooters are similar to other sports equipment, you must be very careful about riding. You must make sure you're able to ride a scooter freely without any assistance, before riding. It is forbidden to ride fatigue, take drugs or drink. It is recommended that you do not ride a scooter during illness, pregnancy, or when you have any bad emotions, chase. No racing and overload.
4. If some damage, emits odor, smoke, overheating or performance failure, or abnormality parts on the scooter, please do not continue to use the scooter and contact with after-sales service in time.
5. When any smoke emitted out from the inside of scooter (even the probability is only 1 in 1 million), please immediately put the scooter into an empty unattended area, or try to cool down it. Please pay attention to avoid damaging other property or causing any personal injury.
6. Scooter is not medical devices and it's not recommended to be used as medical aids.
7. Do not throw or drop the scooter. Do not place the scooter in an open flame or high temperature.
8. The scooter move spontaneously may be caused by parking without turning off, which may bring damage to others or property around it.
9. The unauthorized modification may endanger your safety on riding, Do not modify the scooter in any form without permission.

The requirement of environment for riding:

1. Do not ride on inclined roads, uneven ground, slopes greater than 30%, area near swimming pools and other places with slippery, stagnant water, evacuated materials, etc. which may affect normal riding or not safe. Do not ride in areas where are not permitted to ride by the local laws, regulations or policies.
2. For your safety, please do not take risks to ride through that terrain you have not encountered before, such as steep slopes, inclined roads.
3. Do not ride in the following situations: bad weather, low visibility, at dawn, dusk, thick fog, thick smoke, night or darkness, or extreme fatigue, each of these conditions above would increase the risk of accidents.
4. Do not ride a scooter in rain or snow. After riding, please park the scooter indoors to avoid damage to the scooter due to water ingress caused by rain and snow. Be careful, the resistance of wheels on wet roads is relatively reduced, which will be more difficult for the rider to control the speed.

The requirement to rider:

- 1.The rider must be more than 14 years old and with weight no more than 140 kg. As a parent or guardian, you are responsible for the activities and safety of your minor children. Parents or guardians should accompany the minor children throughout the riding journey to avoid danger.
- 2.It's not recommended to ride the scooter to persons with difficulties in sight, hearing, body, language, and movement. Anyone with serious heart, high blood pressure, dizziness, and other diseases that are not suitable for sports is strongly recommended not to ride the scooter. No riding on this scooter after taking drugs and alcohol.

Preparation before riding:

- 1.Please read this manual carefully. All the components of the scooter must be correctly installed according to the instructions, meanwhile, make sure the installation is not too loose or too tight, to avoid damage or failure.
- 2.Before riding, please check the installation status, wheel performance, and battery status according to the instruction in manual. Make sure the scooter is a proper status, no signs of loosening or damage on any parts. If any signs of abnormality, please stop riding it immediately and contact the after-sales for checking and guidance.
- 3.The scooter does not have enough power to maintain your normal riding while the power display is low and empty. Make sure the power is sufficient before riding, in order to avoid any danger.
- 4.To ride a scooter, you must wear a helmet. And the knee pads, gloves, wrist guards, elbow pads, and sports shoes are recommended.
- 5.No high heels, slippers, and open-toed shoes when riding a scooter.
6. It is recommended to wear protective glasses on riding, to protect your eyes from dirt, dust, and insects in the air.

Notes on riding:

1. Please comply with the local laws, regulations, and policies on riding.
2. Start smoothly on a flat road, and do not accelerate or brake sharply on riding, And hold the handle with both hands always.
- 3.Please be vigilant on riding and always maintain good judgment. Keep a suitable speed and safe distance with other vehicles. Please slow down when driving into an unfamiliar environment.
- 4.In order to avoid distraction on riding, do not wear headphones, earplugs, make phone calls, take pictures, take pictures.
- 5.Be defensive about riding. Pay attention to yourself, vehicles, and pedestrians.
- 6.Make sure you are visible on riding to others.
- 7.One rider only. Do not ride with others on one scooter, including children and pregnant women.

Battery maintenance and storage

1. Please use the original battery. Do not use a battery from unauthorized suppliers, otherwise there may be safety risks.
2. Please use the original charger, otherwise, the battery may be damaged or in danger of fire.
3. There are harmful substances in the battery, please do not try to damage or disassemble the battery.
4. If the battery is damaged or gets into water, do not recharge it or continue to use this battery.
5. Do not plug in the charger when the charging port or charging cable is wet.
6. It is strictly forbidden to disassemble, squeeze or puncture the product, forbid touching the battery contacts, disassembling or piercing the casing. Do not put this product into water or fire (including close to the furnace and other heat sources). Avoid short circuits caused by metal objects touching the battery contacts, otherwise it may cause battery damage or personal injury.
7. It is strictly forbidden to immerse the battery and scooter in water or ride in the rain. And do not clear the scooter by the strong water flow and high-pressure hoses. If your scooter has been exposed to heavy rain or has been riding for a long time in the rain, please wipe the scooter with a dry soft cloth in time, stop using it immediately, and consult with the service staff.
8. Do not place the scooter in the environment over 45 °C or below -20 °C (for example, do not put the scooter or battery in a car exposed under the sunshine in summer). Before charging, if the battery was storage under the environment temperature lower than 0 °C, please put the scooter in a warm environment (more than 10°C) for a while until the battery reaches the charging temperature requirement (0-40 °C).
9. Warning: Due to the improper use above, the performance of the battery is attenuated or can not be used normally, which is not covered by the scope of the warranty.
10. The environment may be polluted by the Improper disposal of used batteries. Please comply with the local laws and regulations when discard of the battery.

Others

1. The data and parameters of the scooter will be varied with different models. It may be subject to change without notice.
 2. To the extent permitted by the law, Inmotion reserves the right to interpret and explain this statement. This statement is applied by the laws of the People's Republic of China. Caused by or may cause. With compensation, liability, and loss, Inmotion will not be liable for compensation. Riders shall bear their own responsibility for unforeseen or occurring risks encountered on riding.
- Thank you again for your choice and trust in Inmotion.

13.Warranty

Thank you for your purchasing of Inmotion products. Please consult the warranty policy with your point of purchase. In case of any assistance needed, please email us: service@imscv.com.

FCC Statement

This equipment has been tested and found to comply with the limits for a Class B digital device, pursuant to part 15 of the FCC Rules. These limits are designed to provide reasonable protection against harmful interference in a residential installation. This equipment generates, uses and can radiate radio frequency energy and, if not installed and used in accordance with the instructions, may cause harmful interference to radio communications. However, there is no guarantee that interference will not occur in a particular installation. If this equipment does cause harmful interference to radio or television reception, which can be determined by turning the equipment off and on, the user is encouraged to try to correct the interference by one or more of the following measures:

- Reorient or relocate the receiving antenna.
- Increase the separation between the equipment and receiver.
- Connect the equipment into an outlet on a circuit different from that to which the receiver is connected.
- Consult the dealer or an experienced radio/TV technician for help.

This device complies with part 15 of the FCC Rules. Operation is subject to the following two conditions: (1) This device may not cause harmful interference, and (2) this device must accept any interference received, including interference that may cause undesired operation. Radiation Exposure Statement This equipment complies with FCC radiation exposure limits set forth for an uncontrolled environment. This transmitter must not be co-located or operating in conjunction with any other antenna or transmitter.

This equipment should be installed and operated with minimum distance 20cm between the radiator& your body.



Scan the QR Code to
Download Inmotion App



Scan the QR Code to Join
INMOTION Scooter Facebook
Group